

Koh Development Custom Gel Tray Order Form

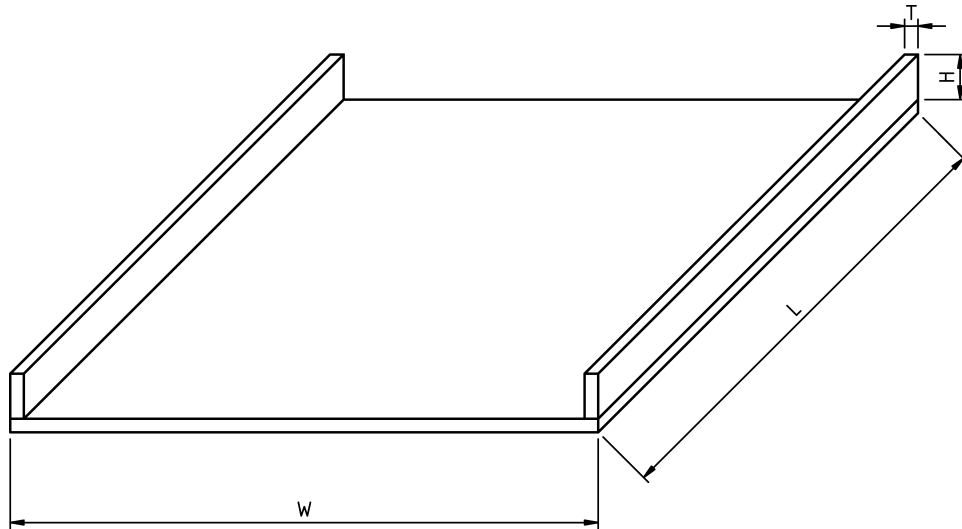
www.koh-development.com
 1884 Canova St. SE; Palm Bay, FL 32909
 Phone: (321) 872-0940; Fax: (321) 821-1819
 support@koh-development.com

Bill To:

Organization:	
Address:	
PO#	

Ship To:

Organization:	
Contact:	
Address	
Phone:	
Email:	



Specify the Dimensions

Quantity	H ¹	L	T ²	W ³

Notes:

1. Height excludes the thickness of the bottom
2. Thicknesses 0.125", 0.188", 0.250" (3mm,4.5mm,6.0mm) are available.
3. Width should be slightly smaller than the gel box dimension.

Attach any notes and fax or email it to us.